

# NEW GENERATION SERIES



## DESCRIPTION

The heavy duty New Generation Series of axial roof units has been designed for a wide range of free intake and ducted applications. These exhaust fans are suitable for a wide range of commercial and industrial applications for handling clean air through to smoke-spill.

There are 9 sizes in the series extending from 315 to 1250mm diameter.

## Typical Applications

Can exhaust from a range of commercial and industrial applications such as warehouses and factories with air qualities ranging from clean air to toxic, noxious and corrosive gases and smoke-spill.

## Features

- Robust, heavy duty construction.
- New Generation downflow supply air units can also be supplied.
- Adjustable pitch impellers provide performances to suit a wide range of applications.
- Impellers can be GRP, aluminium, nylon or anti-static to suit the application, GRP is standard.
- Shutters are a standard component for the RVE and RSS models and are an optional extra for the RDE units (see *Special Notes*).
- Can be mounted at angles up to 30°.
- All standard motors are speed-controllable using variable speed drives.
- Can be used for free intake and ducted applications.
- Wide choice of speeds available.
- Multi-speed motors, as well as motors to meet Ex d, Ex e, Ex nA and Ex tD Standards can be supplied.
- For installations prone to high prevailing winds refer to *Special Notes*.

## Construction

Galvanised steel bases; cowls/windbands are of plastic, fibreglass or galvanised steel.

The RVE and RSS models are all steel construction.

Impeller blades can be GRP, aluminium, nylon or anti-static to suit the application. GRP is standard.

## Motors

Type - squirrel cage induction motors

Electricity supply - motors to suit a wide range of voltages and frequencies can be supplied

Bearing - sealed-for life, ball

Speed-controllable using variable speed drives

See pages O-3/4 for details on these motors

Motors with 2-speed windings, or to meet Ex d, Ex e, Ex nA and Ex tD Standards, can be supplied

When fans are required for non-standard air applications this must be nominated at the time of enquiry

## Internal Thermal Protection

Thermistors can be provided on all motors except when Standards specifically exclude their use.

## Testing

Air flow tests to BS848:Part 1, 1980

Noise tests to BS848:Part2, 1985

## Wiring Diagram

See pages N-6/7, diagrams DD 1, 2, 3, 9.

## Special notes

The quick select envelope performance curves shown on pages D-18/19 give a guide to fan size, noise level and speed.

Accurate selections, including comprehensive noise data, can be obtained from your local Fantech office or from the Fans by Fantech Product Selection Program. Refer to Fantech for performances at speeds other than shown.

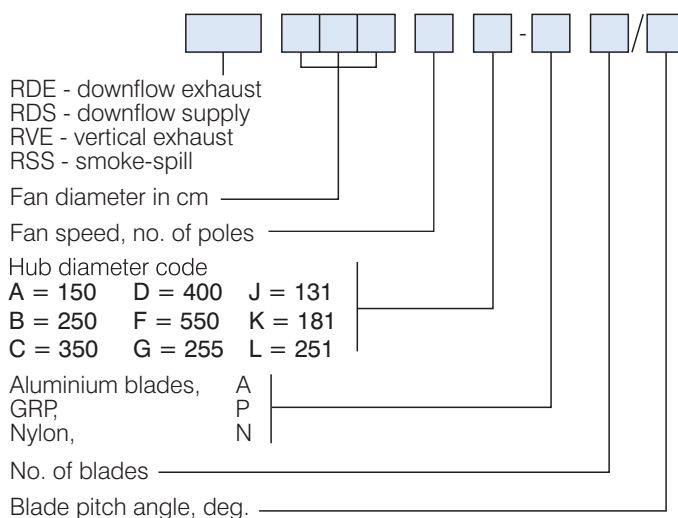
When shutters are fitted ensure the roof unit is mounted with the shutter spindle pointing down the roof. When shutters are fitted to the RDE models derate the performance by 15-20%. Where prevailing winds are high we recommend the fitting of Magloks®, see page J-8 for details. For capacities greater than shown for the New Generation Series refer to the HC and SS series on pages D-60/62

## SMOKE-SPILL APPLICATIONS

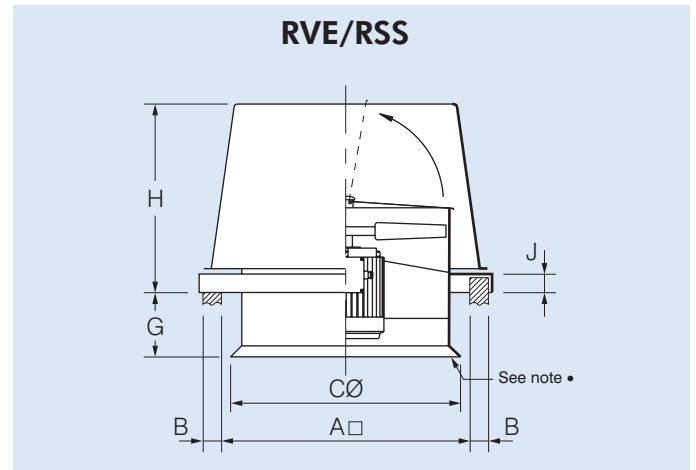
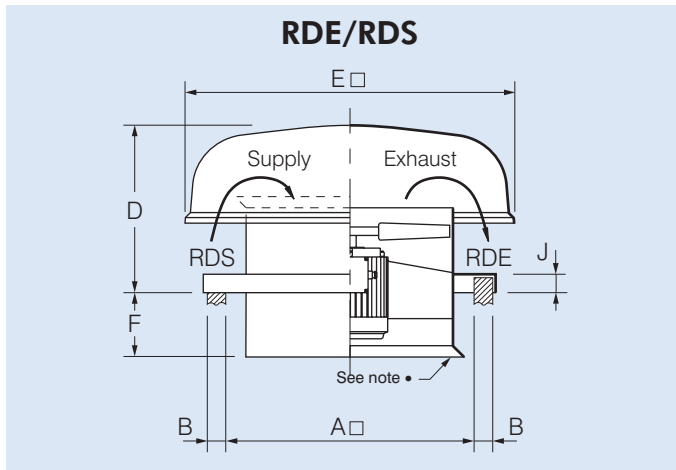
The New Generation RSS Series of smoke-spill fans has been fully tested to meet the air performance and high temperature requirements of Standards AS/NZS1668.1:2015 and AS4429:1999.

For advice on smoke-spill wiring requirements refer to AS/NZS1668.1:2015.

## HOW TO ORDER



## DIMENSIONS



Model RDE/S... RVE/SS.	Fan Speed rev/sec	Max. Motor kW	Dimensions, mm								
			A	B	CØ	D	E	F max.	G max.	H	J
0314	24	0.37	400	50	380	380	670	285	285	385	80
0316	16	0.37									
0404	24	0.55	510	50	465	430	770	245	245	445	80
0406	16	0.37									
0504	24	1.50	670	50	570	530	890	365	365	545	80
0506	16	0.37									
0564	24	2.2	670	50	625	530	890	365	365	545	80
0566	16	0.75									
0634	24	4.0									
0636	16	1.1	780	100	700	580	1180	345	345	685	80
0638	12	0.55									
0714	24	5.5									
0716	16	2.20	780	100	776	580	1180	345	545	685	80
0718	12	0.75									
0804	24	11.0									
0806	16	4.0	880	100	870	685	1395	530	530	765	85
0808	12	1.5									
1004	24	30.0									
1006	16	15	1080	100	1070	725	1640	495	495	855	85
1008	12	4.0									
1254#	24	90									
1256#	16	30	1370	100	1330	-	-	-	810	840	85
1258#	12	11.0									

• All casings have coned entry. If right angle flanged entry is required this is available as an optional extra.

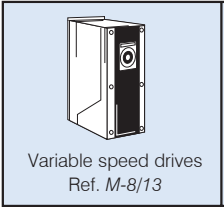
# Vertical discharge RVE/RSS only.

Amperages for motors can be obtained at time of order.

# NEW GENERATION SERIES



## ANCILLARY EQUIPMENT



Variable speed drives  
Ref. M-8/13

## SUGGESTED SPECIFICATION

### Downflow Exhaust Series

The axial roof units shall be of the RDE downflow exhaust New Generation Series as designed and manufactured by Fantech Pty Ltd.

The axial impellers shall be adjustable pitch manufactured and supplied with blades of GRP, aluminium, nylon or anti-static material; GRP is standard.

The unit base shall be of galvanised steel and incorporate a tube that fully encompasses the motor and rotor. In addition, the intake end of the casing shall have an inlet cone to minimise entry losses to the fan. The base may be powder-coated if required (optional extra). Cowls shall be of plastic or fibreglass.

All models shall incorporate fans fully tested to BS848:Part 1, 1980 for air flow and to BS848:Part 2, 1985 for noise.

### Downflow Supply Series

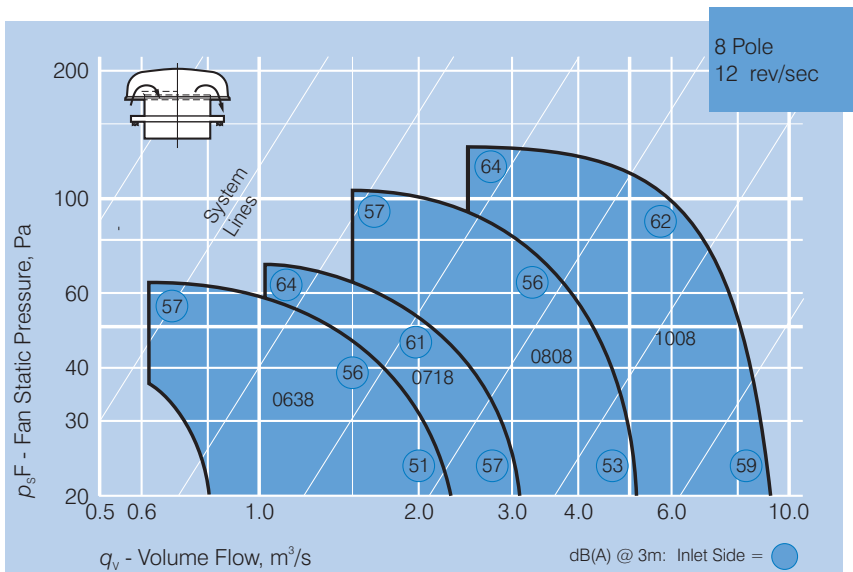
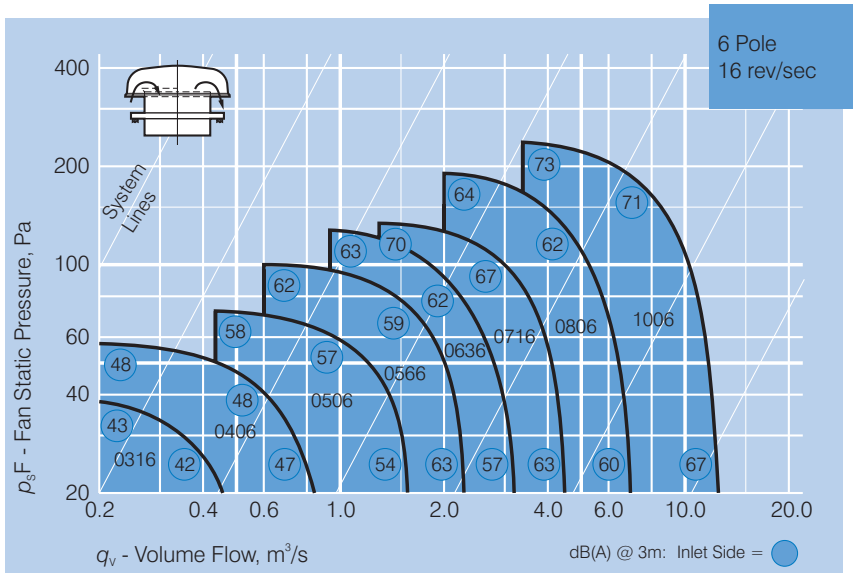
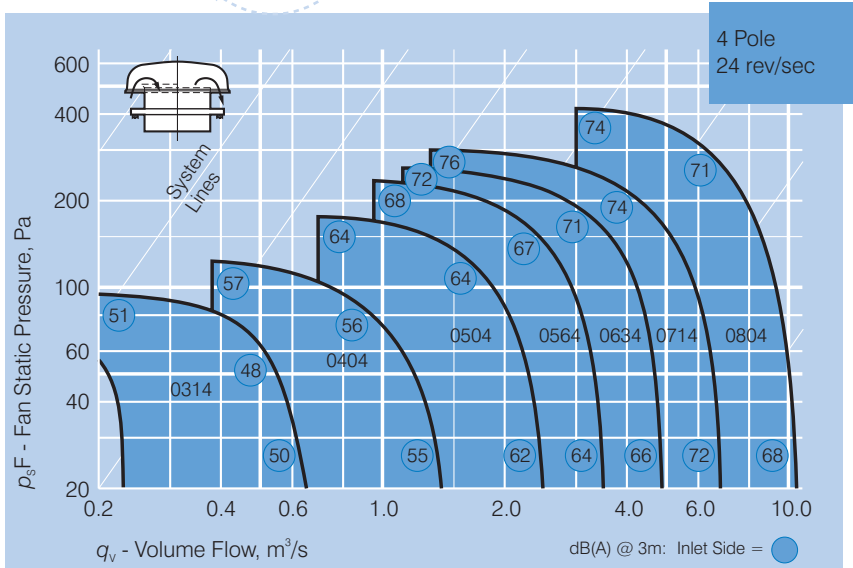
The axial roof units shall be of the RDS downflow supply New Generation Series as designed and manufactured by Fantech Pty Ltd.

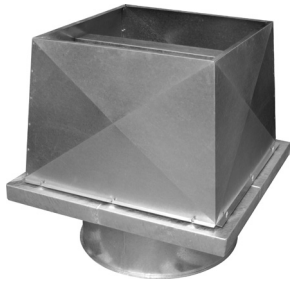
The axial impellers shall be adjustable pitch manufactured and supplied with blades of GRP, aluminium, nylon or anti-static material; GRP is standard.

The unit base shall be of galvanised steel and incorporate a tube that fully encompasses the motor and rotor. In addition, the intake end of the casing shall have an inlet cone to minimise entry losses to the fan. The base may be powder-coated if required (optional extra). Cowls shall be of plastic or fibreglass.

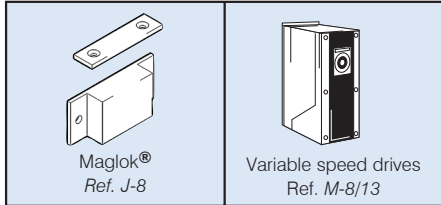
All models shall incorporate fans fully tested to BS848:Part 1, 1980 for air flow and to BS848:Part 2, 1985 for noise.

Scan the QR Code to view more information





## ANCILLARY EQUIPMENT



## SUGGESTED SPECIFICATION

### Vertical Exhaust Series

The axial roof ventilators shall be of the RVE vertical exhaust New Generation Series as designed and manufactured by Fantech Pty Ltd.

The axial impellers shall be adjustable pitch manufactured and supplied with blades of aluminium.

The unit base shall be of galvanised steel and shall incorporate a tube that fully encompasses the motor and rotor. In addition, the intake end of the casing shall have an inlet cone to minimise entry losses to the fan. The base and steel windband may be powder-coated if required (optional extra). Windbands shall be of galvanised steel.

All models shall incorporate fans fully tested to BS848:Part 1, 1980 for air flow and to BS848:Part 2, 1985 for noise.

### Vertical Exhaust Smoke-Spill Series

The axial roof ventilators shall be of the RSS vertical exhaust smoke-spill, New Generation Series as designed and manufactured by Fantech Pty Ltd.

The axial impellers shall be adjustable pitch manufactured and supplied with blades of aluminium.

The unit base shall be of galvanised steel and shall incorporate a tube that fully encompasses the motor and rotor. In addition, the intake end of the casing shall have an inlet cone to minimise entry losses to the fan. The base and steel windband may be powder-coated if required (optional extra). Windbands shall be of galvanised steel.

All models shall incorporate fans fully tested to BS848:Part 1, 1980 for air flow and to BS848:Part 2, 1985 for noise.

Scan the QR code to view more information online.

