

HUNTER TRAK SERIES SWEEP FANS



Hunter Trak with wireless controller



DESCRIPTION

The Hunter Trak sweep fan combines a balance of performance and modern design. Trak blends elegantly into its surroundings while providing the cooling effect and air flow that commercial spaces need. Its design includes a single phase direct drive motor and extruded aluminium blades that deliver optimal air flow for larger spaces.

They are available 4 sizes, 1500, 1800, 2100 and 2400mm diameter.

Typical Applications

Indoor and outdoor commercial applications such as restaurants and retail spaces, meeting areas, patios, schools and health clubs.

Features

- Energy efficient, 8-speed single phase Quiet DC motor that can be operated in forward or reverse.
- Suitable for undercover outdoor areas such as indoor dining.
- Time saving plug-n-play system with pre-installed components.
- Comes standard with a 30 cm, stainless steel and powder coated downrod that does not required guide wires.
- Highly efficient 4 blade configuration with an 18° blade pitch for optimal air movement.
- Trak comes in powder coated matt black as standard and kept in stock. White and Silver Grey colours also available (lead time applies)..
- Wireless wall controller for easy installation and management of multiple Trak sweep fans up to 25 metres radius of the controller.

Construction

Downrod and mounts are made from stainless steel. Extruded blades and motor housing are aluminium. Mounting covers and motor cover are ABS.

Motors

Type: Single phase EC motor, 0.1kW (0.13HP).
Electricity supply - 200-240V single-phase, 50/60Hz.
Bearings - sealed-for-life, ball.
See page O-2/3 for details on motors.

Internal Thermal Protection

Thermal protection is supplied as standard on all motors.

Testing

Max air flow based on AMCA230-15 and AMCA 230-99

Wiring

See page N-7, diagram DD8

Special Note

Hunter Trak comes in 3 colour variations with or without a LED light.

- Matt Black Hunter Trak sweep fans are kept in stock.
- White or Silver Grey colour variations can be ordered (lead time applies).
- Trak HVLS fans with a 30W LED light (900 Lumens) can be ordered (lead time applies).

SUGGESTED SPECIFICATION

The sweep fans shall be of the Hunter Trak Series as supplied by Fantech Pty Ltd and be of the model numbers shown on the schedule/drawings.

Impeller blades shall be made of extruded aluminium and shall feature a contoured aerofoil design. They shall include a stainless steel, powder coated downrod that does not required guide wires.

The HVLS fan shall use a single phase EC motor that generates large amounts of torque while operating at slow speeds and is equal to or less than 0.1 kilowatts.

It will come with a wireless controller designed to manage multiple sweep fans within a 25 metre radius of the controller. The controller shall adjust fan speed, change the fan's rotation direction from forward to reverse, and switch the LED light on and off when required.

All models shall be fully tested to ANSI/AMCA Standard 230-15 for air flow.

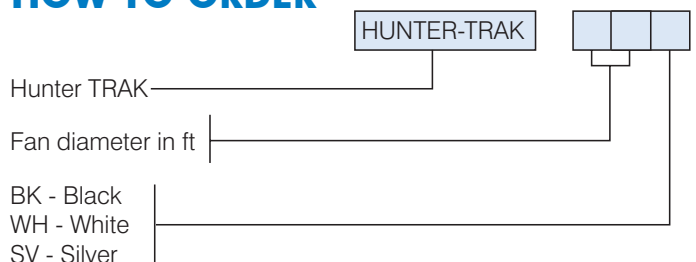
PERFORMANCE & SELECTION

Visit the Fantech online HVLS Selection Tool to calculate the number of Hunter fans needed, installation spacing and cooling effect required.

<https://www.fantech.com.au/hvls>

Please refer all enquires to Fantech sales engineers.

HOW TO ORDER



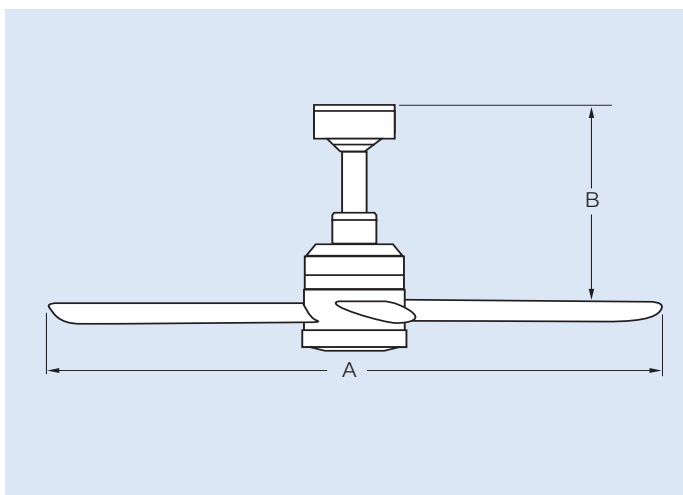
HUNTER TRAK SERIES SWEEP FANS

TECHNICAL DATA

Model Number	Motor rpm	Supply	kW	Full Load Amps	Sound (dBA)	Max air flow m ³ /s AMCA 230-15	Max air flow m ³ /s AMCA 230-99	Effective range* Area m ²
05BK	240	1-phase	0.10	1.16	46	6.15	8.70	37
06BK	185	1-phase	0.10	1.16	46	8.45	11.95	54
07BK	175	1-phase	0.10	1.16	46	10.44	14.77	73
08BK	145	1-phase	0.10	1.16	46	11.69	16.54	95

* Effective range area is based on 1.5 to 2m/s air flow at face/chest level

DIMENSIONS



Model Number	Dimensions, mm		Weight, kg*
HUNTER-TRAK..	A	B	
05BK/WH/SV	1500	300	21
06BK/WH/SV	1800	300	22
07BK/WH/SV	2100	300	22
08BK/WH/SV	2400	300	23

* Total fan hang weight. Includes blades, motor, hanging system, accessories

Scan the QR code to view more information online.



HUNTER TRAK DOWNROD

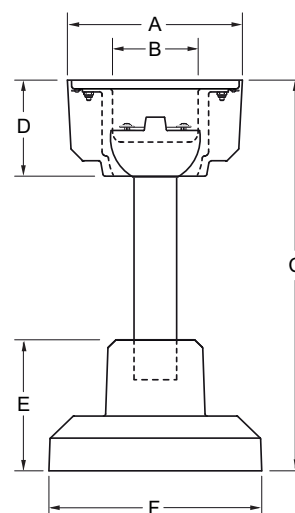


Description

The Hunter Trak uses an all-in-one, downrod to simplify installation.

Features

- Pre-wired power cable and stainless steel safety cable sealed into the downrod
- Integrated motor mounting plate
- Stainless steel downrod with ABS mount covers
- Self-levelling mount bracket



Model Number	Dimensions, mm						App Wt. kg
HUNTER-TRAK..	A	B	C	D	E	F	
DR2BK/WH/SV	195	110	610	110	140	240	3.5
DR3BK/WH/SV	195	110	900	110	140	240	4.0
DR4BK/WH/SV	195	110	1210	110	140	240	5.0
DR5BK/WH/SV	195	110	1520	110	140	240	6.0