

EZIFIT IN-WALL



A

DESCRIPTION

The EziFit In-Wall exhaust fan mounts flush with the exterior wall of the building. It is barely visible, very powerful and easily accessible if cleaning or maintenance is required. It provides the most effective solution for exhausting air from downstairs rooms in two storey homes.

Typical Applications

Particularly suited to downstairs exhaust air applications in two storey homes where ducting needs to pass between floors. These applications include powder rooms, toilets, laundries, bathrooms and ensuites.

Features

- Finishes flush to the external wall of the building.
- Neutral colour grille complements most brick colours.
- Fitted with insect-proof cover.
- Connects to 150mm diameter duct.
- The unit can exhaust from a number of points.
- Provides quiet, powerful exhaust.
- 3-speeds can be obtained using the DSS1-16, 3-speed switch (optional).

Construction

Injection moulded plastic grille and housing.
Backward-curved centrifugal fan with non-stalling characteristics.

Motors

Type - external rotor, squirrel cage induction motor.
Electrical supply - 230V, single-phase, 50Hz.
Bearings - sealed for life, ball.
3 speeds can be obtained using the optional DSS1- 16 switch.
Class B motor, IP44 rated.
See pages O-2/3 for details on these motors.

Internal Thermal Protection

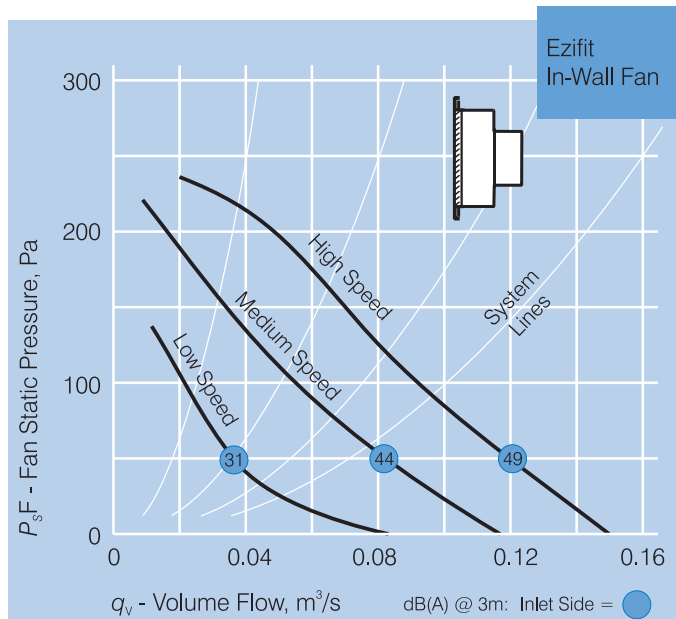
Manual-reset thermal protection

Testing

Air flow tests to ISO5801:1997
Noise tests to BS848:Part 2 1985

Wiring Diagram

See section N

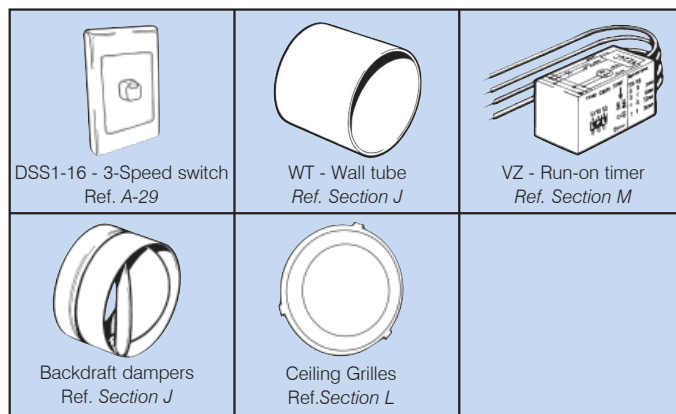


TECHNICAL DATA

Model Number	Speed Setting	Fan Speed rev/sec	Avg. dB(A) @ 3m	EIE.. 1 ph. Watts	Amps	App. Wt. kg
EIE150	High	40	49	75	0.29	
	Mid*	32	44	60	0.25	2.8
	Low	21	31	50	0.22	

* 3 speed fan supplied wired in medium speed

ANCILLARY EQUIPMENT



SUGGESTED SPECIFICATION

The exterior wall mounted fans shall be of the Ezifit In-Wall unit as designed and manufactured by Fantech Pty Ltd and be of the model number shown on the schedule/drawings.

They shall be fitted with backward-curved centrifugal impellers and include manual-reset thermal protection.

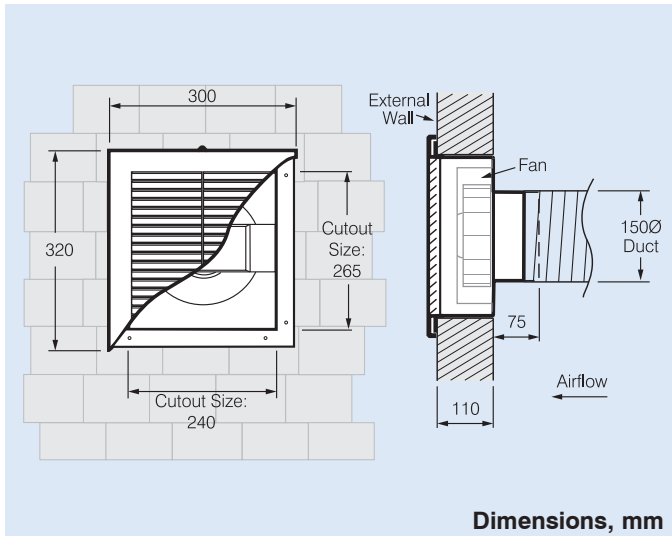
The grille and housing shall be manufactured from injection moulded plastic.

It shall be fully tested to ISO 5801:1997 for air flow and BS848:Part 2, 1985 for noise.

HOW TO ORDER

Select the Ezifit In-Wall fan as per the model number shown. If the desired performance falls between two speeds, the highest speed should be selected

DIMENSIONS



Scan the QR Code to view more information online.



DSS1-16 - 3-SPEED SWITCH

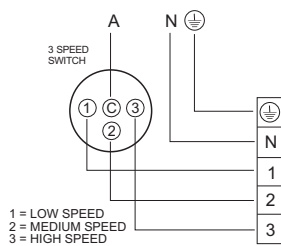


FEATURES

The DSS1-16, 3-speed wall mounted switch has been specifically designed for the Ezifit In-Wall exhaust fan to switch between high, medium and low speed.

The switch is surface mounted, has an enclosure rating of IP30 and has a 70mm W X 114mm H switch plate. A recess depth of 25mm is required for mounting.

WIRING DIAGRAM



DSS1-16

