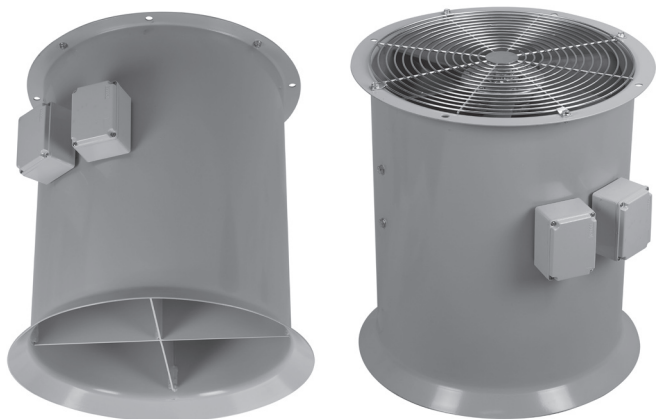


AEROMIX COOLING & DESTRATIFICATION FANS



View from below

View from top

DESCRIPTION

Fantech's Aeromix cooling and destratification fan has been developed to maximise air circulation and thermal comfort in large buildings with high ceilings. It incorporates an IE5# rated Electronically Commutated (EC) shaft motor delivering ultra energy efficient operation with the benefit of in-built variable speed control. Available in 400 and 500mm diameters, the Aeromix destratifies the space to create a more pleasant and productive working environment.

Typical Applications

Designed to create thermal equalisation in large-scale applications, the Aeromix is well suited to environments such as stadiums, factories, and warehouses with ceiling heights of 8 metres or higher.

Features

- Helps create a more productive, more comfortable environment that has the potential to reduce energy consumption
- Used for spot cooling in summer and destratification in winter
- Can be installed so its air flow avoids or targets specific areas
- Adjustable air flow using a speed controller
- Can be used as a demand-control destratification system with EC speed controller and two temperature sensors
- Comes with 4 galvanised eyebolts that allow the fan to be suspended by cable
- Alternatively, M10 threaded rod can be used to secured the Aeromix via 4 mount holes at the top of the fan
- Finger guards on inlet side of the fan

Construction

Powder-coated aluminium case.

Axial flow aerofoil impellers are of high performance composite material.

Motors

Type - electronic commutated (EC) motor.

Electricity supply - 200-277V single-phase, 50/60Hz.

Bearings - sealed-for-life, ball.

See page O-7 for details on motors.

IP55 rating.

Internal thermal Protection


Motor overload protection is supplied as standard.

Testing

Air flow tests to ISO5801: 2007

Noise tests to BS848:Part 2, 1985

ANCILLARY EQUIPMENT

 Zoo Fan EC Controllers & Sensors. Ref. Ref. G-19		
--	--	--

Wiring Diagram

See page N-8, diagram ER

Special Note

EC motors should be directly connected to their appropriate AC supply. EC motors should not be regularly power cycled.

If mounted less than 2.1 metres from floor level, additional finger guards must be fitted to outlet side of the fan (special order).

* The IE5 Efficiency level is not currently defined by the IEC Standard, however the intent is for IE5 motors to have approximately a 20% reduction in losses against IE4 motors.

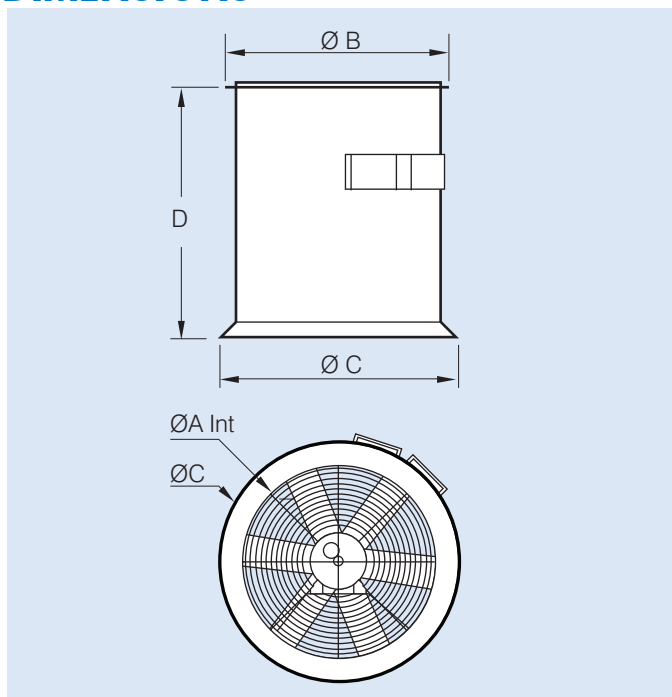
SUGGESTED SPECIFICATION

The destratification fans shall be of the Aeromix Series as supplied by Fantech Pty Ltd and be of the model number shown on the schedule/drawings.

The axial impellers shall be made from high performance composite material. They shall be driven by an EC shaft motor with integrated speed controller and motor overload protection. Fan casings and motor plate shall be of aluminium with a powder coated light grey finish.

All models shall be fully tested to ISO5801:2007 for air flow and to BS848:Part 2, 1985 for noise.

DIMENSIONS



Model Number	Dimensions, mm				App. Weight, kg*
ZFH..	Ø A	Ø B	Ø C	D	
100EC	400	460	484	540	19.5
160EC	500	560	584	640	25.0

AEROMIX COOLING & DESTRATIFICATION FANS

TECHNICAL DATA

Model Number ZFH..	Motor Type	Fan Size (mm)	Max Fan Speed rev/min	Max. Air Flow (L/s)				Max Operating Temp. °C	Sound Levels (dBA) @ Ceiling Height*		
				Volts	kW	Amps	12m		15m	18m	
100EC	EC	400	1800	1612	230	0.55	4.7	60	50.0	47.5	45.6
160EC	EC	500	1800	2917	230	1.12	8.4	60	52.9	50.4	48.5

* Sound levels based on non-reflective area – 1.5m above floor.

VELOCITY PROFILE

