

AEROMINI COOLING & DESTRATIFICATION FANS



DESCRIPTION

This compact Aeromini fan destratifies by producing a gentle, precise column of air that draws warm air from the ceiling and forces it down to floor level. By doing this it helps to create a more pleasant and comfortable indoor environment for workers and customers. It can also help to lower a building's operating costs by reducing the energy consumption of a heating system in cooler weather.

Available in AC and EC configurations with a fan diameter of 250mm.

Typical Applications

Ideal for buildings that are heated and have medium to high ceilings such as school halls, greenhouses, workshops and factories. Particularly effective when used in aisles due to their narrow band of air and variable speed control motor that provides air flow adjustment. Can be also used as a quiet and unobtrusive cooling fan in warmer weather.

Features

- Helps to create a more productive, more comfortable environment that has the potential to reduce energy consumption
- Can be installed so its air flow avoids or targets specific areas
- Adjustable air flow using a speed controller
- EC Aeromini fan can be used as a demand control destratification system with EC speed controller and two temperature sensors
- Pivoting handle allows quick change to airflow direction
- Comes with galvanised eye bolts making it easy to hang cable
- Model with finger guards on inlet and outlet available (See special note).

Construction

Handle is of powder coated steel with galvanised eye bolts
Fan body is of fire resistant, ABS injected moulded plastic.

Motors

AC type - external rotor, squirrel cage induction motors.

EC type - electronically commutated motor.

Electrical supply - 230V single-phase, 50/60Hz.

Bearings - sealed-for-life, ball.

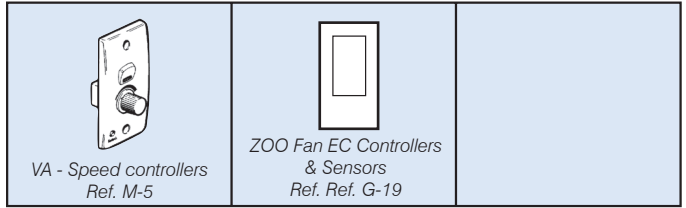
Speed-controllable.

Motor Protection IP44.

See pages O-2/3 for details on AC motors.

See page O-7 for details on EC motors

ANCILLARY EQUIPMENT



Internal thermal Protection

Auto-reset thermal protection

Testing

Air flow tests to DIN24166, Class1

Noise tests to DIN3745, Class1

Wiring Diagram

See page N-8, diagram ER4

Special Note

Finger guards must be fitted to fans if being mounted less than 2.1 metres from floor level.

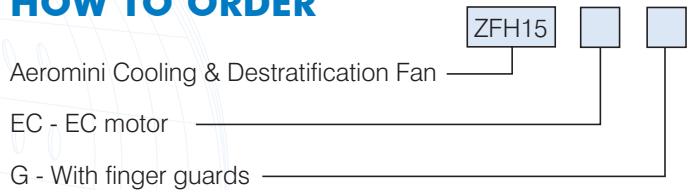
SUGGESTED SPECIFICATION

The destratification fans shall be of the Aeromini Series as supplied by Fantech Pty Ltd and be of the model number shown on the schedule/drawings. They shall be constructed from fire resistant, ABS injection moulded plastic and include a robust, pivoting metal handle.

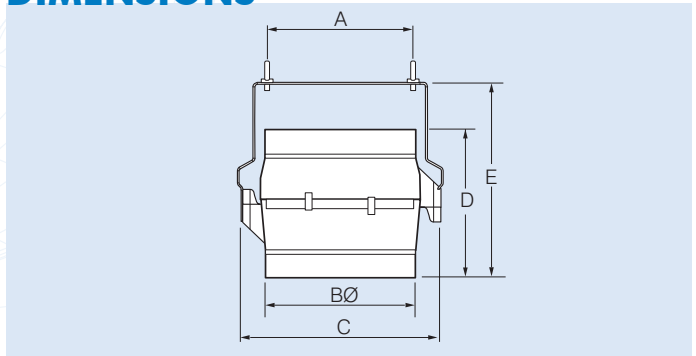
The axial impellers shall be direct driven by speed-controllable external rotor motors with integral thermal protection. Impellers shall be of powder coated steel.

All models shall be fully tested to DIN24166, Class1 for air flow and DIN3745, Class1 for noise

HOW TO ORDER



DIMENSIONS



Model	Dimensions, mm					Approx. Weight kg.
	A	B	C	D	E	
ZFH15	240	250	338	250	364	6
ZFH15EC						6

AEROMINI COOLING & DESTRATIFICATION FANS

TECHNICAL DATA

Model	Motor Type	Fan Size (mm)	Fan Speed rev/sec	Free Air m ³ /s	Max Operating Temp (°C)	Volts	kW	Amps	Sound Level (dBA) @ Ceiling Height*		
									6m	8m	10m
ZFH15	AC	250	23	0.26	60	230	0.06	0.28	46	42	39
ZFH15EC	EC	250	36	0.32	60	230	0.06	0.28	59	55	52

*Based on non-reflective area

VELOCITY PROFILE

